



**SOLAR WATER &  
BOREHOLE PUMP CHARTS FOR :  
LORENTZ PS600**

**Brought to you with the compliments of:**

**SOLAR MAN**



**Silver Lakes, Pretoria East, South Africa**

| +27 (0)12 941 1582 | +27 (0)12 809 1525 |

| [Info2@solarm.co.za](mailto:Info2@solarm.co.za) | [www.solarm.co.za](http://www.solarm.co.za) |

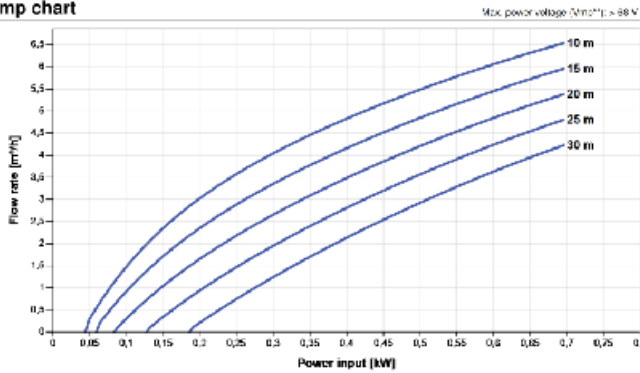
# LORENTZ PS600



## PS600 C-SJ5-8

Solar submersible pump system for 4" wells

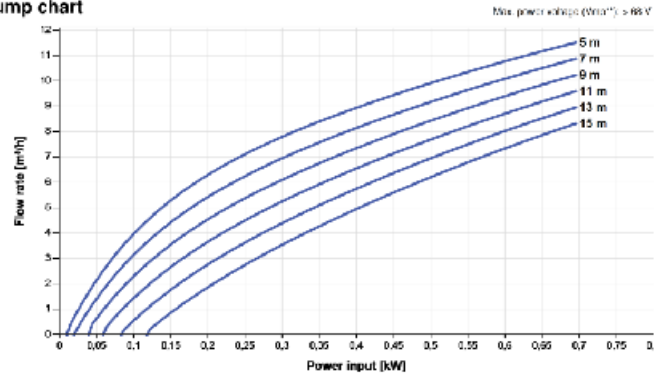
Pump chart



## PS600 C-SJ8-5

Solar submersible pump system for 4" wells

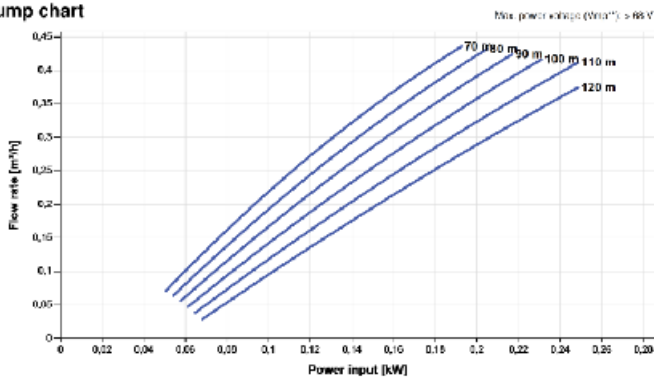
Pump chart



## PS600 HR-03

Solar submersible pump system for 4" wells

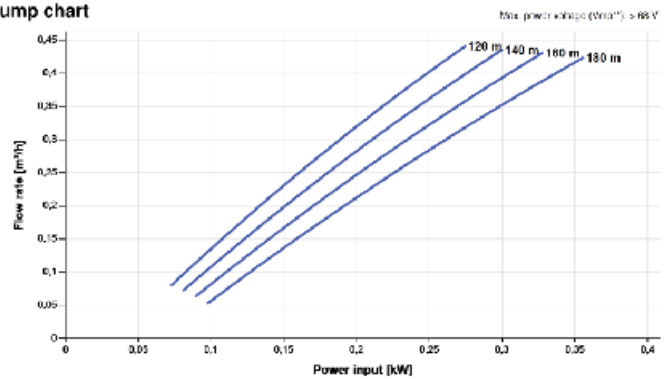
Pump chart



## PS600 HR-03H

Solar submersible pump system for 4" wells

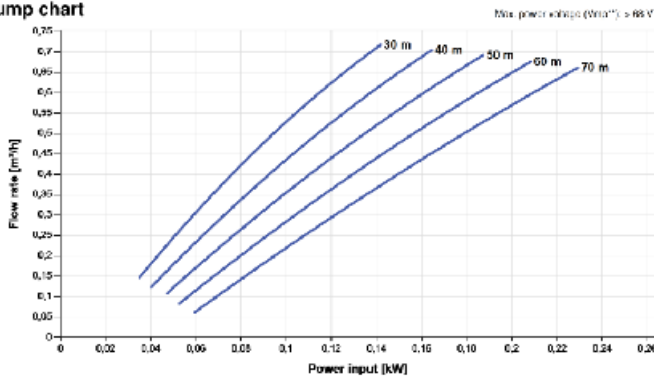
Pump chart



## PS600 HR-04

Solar submersible pump system for 4" wells

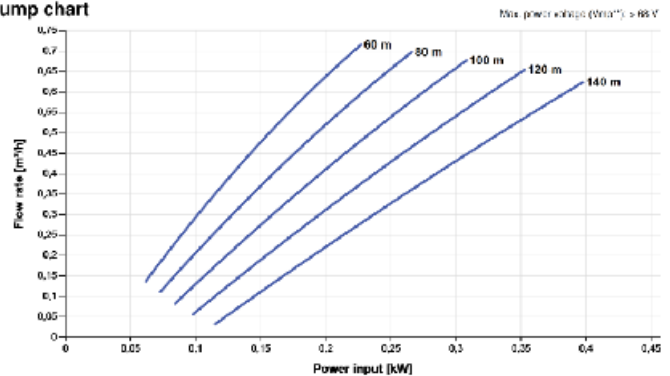
Pump chart



## PS600 HR-04H

Solar submersible pump system for 4" wells

Pump chart



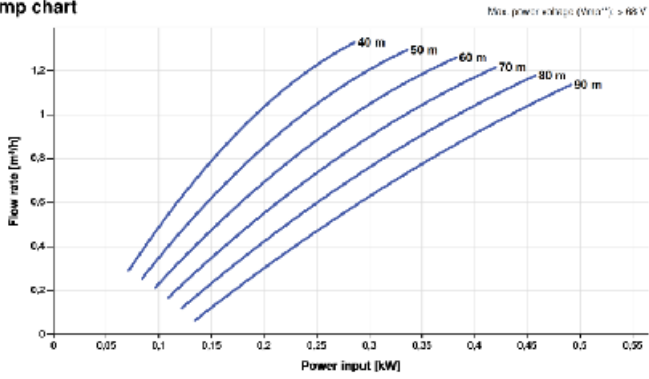
# LORENTZ PS600 (cont.)



## PS600 HR-07

Solar submersible pump system for 4" wells

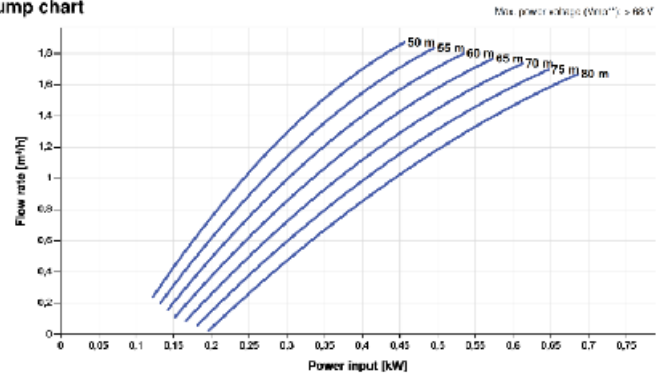
Pump chart



## PS600 HR-10

Solar submersible pump system for 4" wells

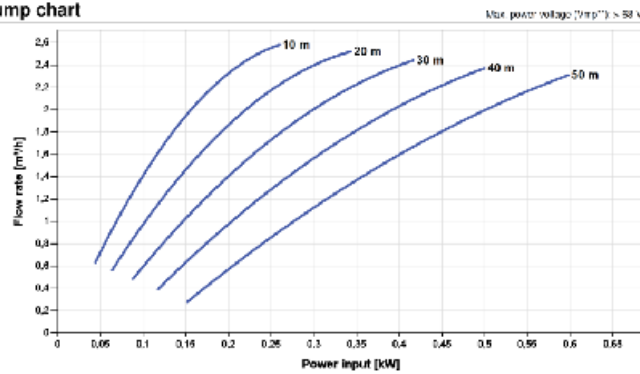
Pump chart



## PS600 HR-14

Solar submersible pump system for 4" wells

Pump chart



# PS600 C-SJ5-8

## Solar submersible pump system for 4" wells

### Application

- drinking water supply
- pond management
- irrigation
- livestock watering
- pressurizing

### Characteristics

- fast, failure-free installation
- excellent serviceability
- high reliability and life expectancy
- short Return of Investment (ROI) cycle
- lower Total Cost of Ownership (TCO)

### Technical data

|                    |                            |
|--------------------|----------------------------|
| Item #             | 1292                       |
| Total dynamic head | max. 30 m                  |
| Flow rate          | max. 6,5 m <sup>3</sup> /h |
| Vmp**              | > 68 V                     |
| Voc                | max. 150 V                 |



### Components

#### Controller: PS600

- controlling and monitoring
- control inputs for well probe, dry running protection, remote control etc.
- protected against reverse polarity, overload and high temperature
- integrated MPPT (Maximum Power Point Tracking)
- low voltage disconnect for battery operation

#### Motor: ECDRIVE 600-C

- maintenance-free brushless DC motor
- water filled
- no electronics in the motor
- submersion max. 250 m, IP68
- premium materials

#### Pump end: PE C-SJ5-8

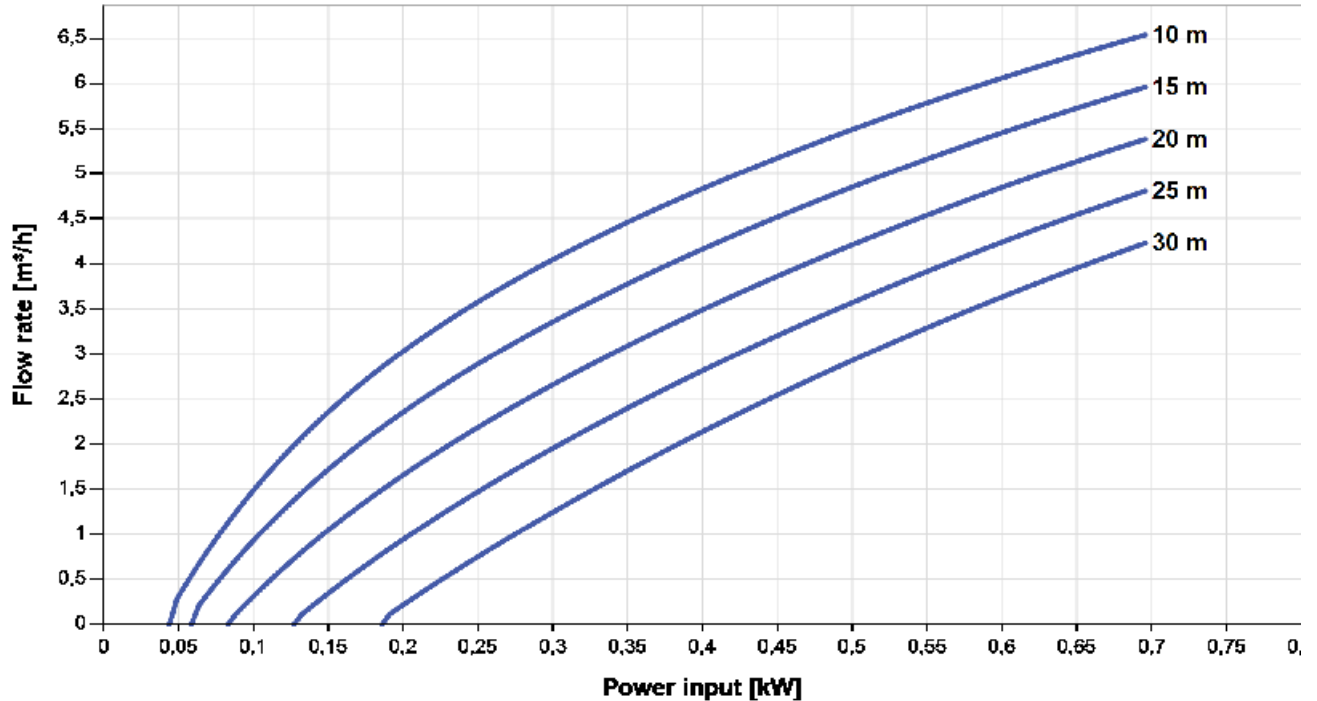
- high reliability and life expectancy
- non-return valve
- premium materials
- optional: dry running protection

## PS600 C-SJ5-8

Solar submersible pump system for 4" wells

### Pump chart

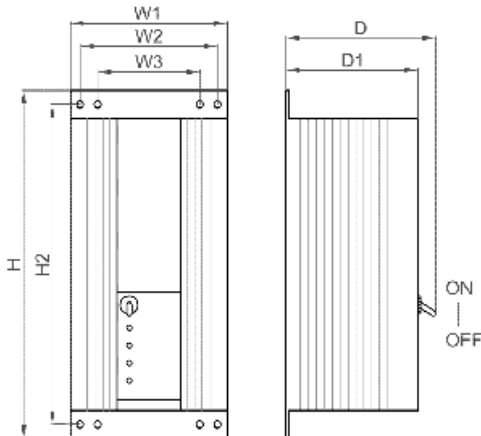
Max. power voltage (Vmp<sup>\*\*</sup>): > 68 V



### Dimensions and weights

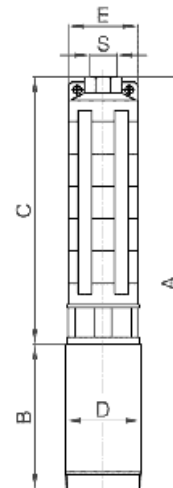
#### Controller

H = 396 mm  
 H2 = 364 mm  
 W1 = 178 mm  
 W2 = 156 mm  
 W3 = 116 mm  
 D = 165 mm  
 D1 = 150 mm



#### Pump unit

A = 524 mm  
 B = 185 mm  
 C = 339 mm  
 D = 96 mm  
 E = 98 mm  
 S = 1,5 in



|            | net weight | packaging      | shipping volume      | gross weight |
|------------|------------|----------------|----------------------|--------------|
| Controller | 4,5 kg     | 450x250x240 mm | 0,027 m <sup>3</sup> | 5,2 kg       |
| Pump unit  | 11 kg      | 650x160x150 mm | 0,016 m <sup>3</sup> | 12 kg        |
| Motor      | 7,0 kg     | 160x140x300 mm | 0,007 m <sup>3</sup> | 7,3 kg       |
| Pump end   | 4,2 kg     | 650x160x150 mm | 0,016 m <sup>3</sup> | 4,7 kg       |

\*Max. flow rate at min. recommended head

\*\*Vmp: max. power voltage under Standard Test Conditions (STC): AM = 1.5, E = 1000 W/m<sup>2</sup>, cell temperature 25 °C

# PS600 C-SJ8-5

## Solar submersible pump system for 4" wells

### Application

- drinking water supply
- pond management
- irrigation
- livestock watering
- pressurizing

### Characteristics

- fast, failure-free installation
- excellent serviceability
- high reliability and life expectancy
- short Return of Investment (ROI) cycle
- lower Total Cost of Ownership (TCO)

### Technical data

|                    |                           |
|--------------------|---------------------------|
| Item #             | 1293                      |
| Total dynamic head | max. 15 m                 |
| Flow rate          | max. 12 m <sup>3</sup> /h |
| Vmp**              | > 68 V                    |
| Voc                | max. 150 V                |



### Components

#### Controller: PS600

- controlling and monitoring
- control inputs for well probe, dry running protection, remote control etc.
- protected against reverse polarity, overload and high temperature
- integrated MPPT (Maximum Power Point Tracking)
- low voltage disconnect for battery operation

#### Motor: ECDRIVE 600-C

- maintenance-free brushless DC motor
- water filled
- no electronics in the motor
- submersion max. 250 m, IP68
- premium materials

#### Pump end: PE C-SJ8-5

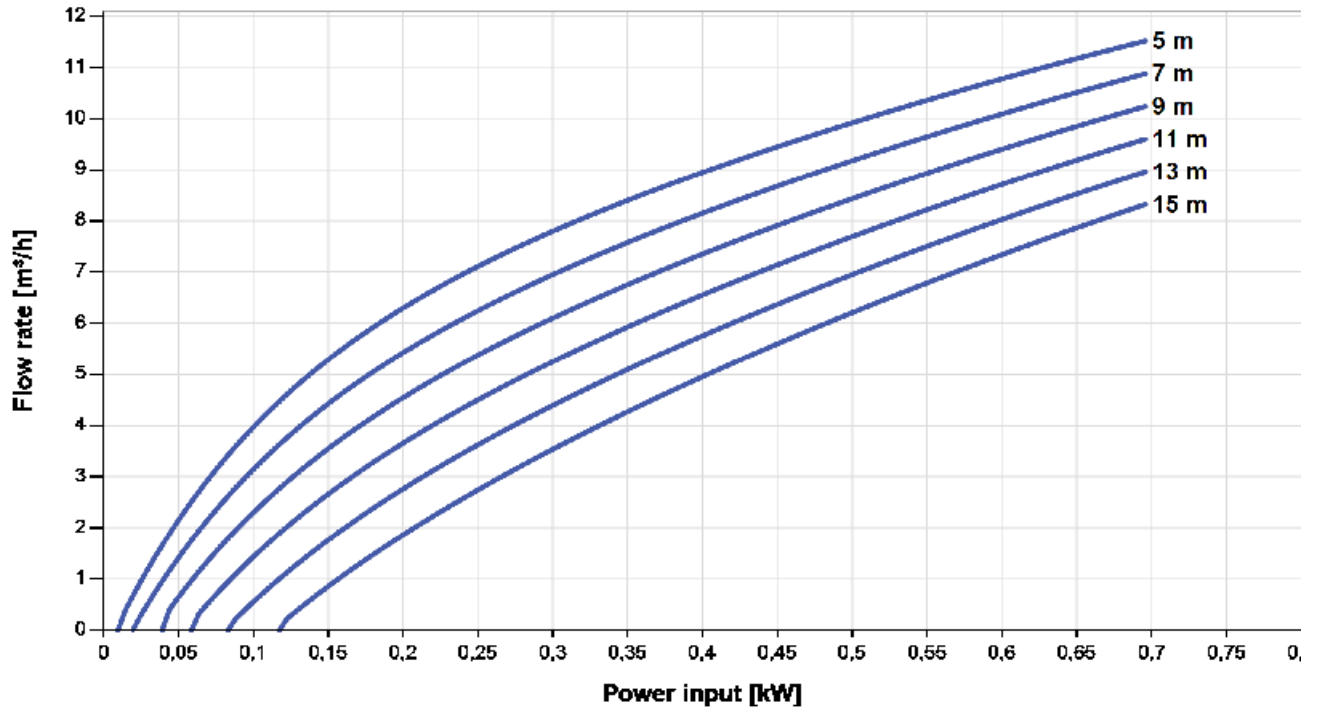
- high reliability and life expectancy
- non-return valve
- premium materials
- optional: dry running protection

## PS600 C-SJ8-5

Solar submersible pump system for 4" wells

### Pump chart

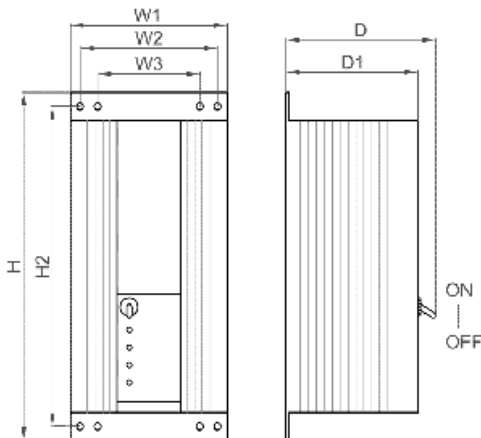
Max. power voltage (Vmp<sup>\*\*</sup>): > 68 V



### Dimensions and weights

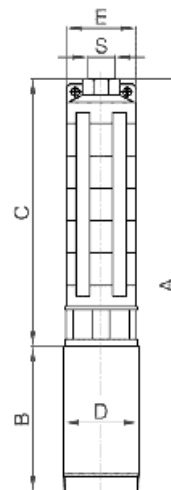
#### Controller

H = 396 mm  
 H2 = 364 mm  
 W1 = 178 mm  
 W2 = 156 mm  
 W3 = 116 mm  
 D = 165 mm  
 D1 = 150 mm



#### Pump unit

A = 600 mm  
 B = 185 mm  
 C = 415 mm  
 D = 96 mm  
 E = 98 mm  
 S = 2 in



|            | net weight | packaging      | shipping volume      | gross weight |
|------------|------------|----------------|----------------------|--------------|
| Controller | 4,5 kg     | 450x250x240 mm | 0,027 m <sup>3</sup> | 5,2 kg       |
| Pump unit  | 13 kg      | 650x160x150 mm | 0,016 m <sup>3</sup> | 13 kg        |
| Motor      | 7,0 kg     | 160x140x300 mm | 0,007 m <sup>3</sup> | 7,3 kg       |
| Pump end   | 5,7 kg     | 650x160x150 mm | 0,016 m <sup>3</sup> | 6,2 kg       |

\*Max. flow rate at min. recommended head

\*\*Vmp: max. power voltage under Standard Test Conditions (STC): AM = 1.5, E = 1000 W/m<sup>2</sup>, cell temperature 25 °C

# PS600 HR-03

## Solar submersible pump system for 4" wells

### Application

- drinking water supply
- pond management
- irrigation
- livestock watering
- pressurizing

### Characteristics

- fast, failure-free installation
- excellent serviceability
- high reliability and life expectancy
- short Return of Investment (ROI) cycle
- lower Total Cost of Ownership (TCO)

### Technical data

|                    |                             |
|--------------------|-----------------------------|
| Item #             | 1040-X                      |
| Total dynamic head | max. 120 m                  |
| Flow rate          | max. 0,44 m <sup>3</sup> /h |
| Vmp**              | > 68 V                      |
| Voc                | max. 150 V                  |



### Components

#### Controller: PS600

- controlling and monitoring
- control inputs for well probe, dry running protection, remote control etc.
- protected against reverse polarity, overload and high temperature
- integrated MPPT (Maximum Power Point Tracking)
- low voltage disconnect for battery operation

#### Motor: ECDRIVE 600-HR

- maintenance-free brushless DC motor
- water filled
- no electronics in the motor
- submersion max. 250 m, IP68
- premium materials

#### Pump end: PE HR-03

- high reliability and life expectancy
- non-return valve
- premium materials
- optional: dry running protection

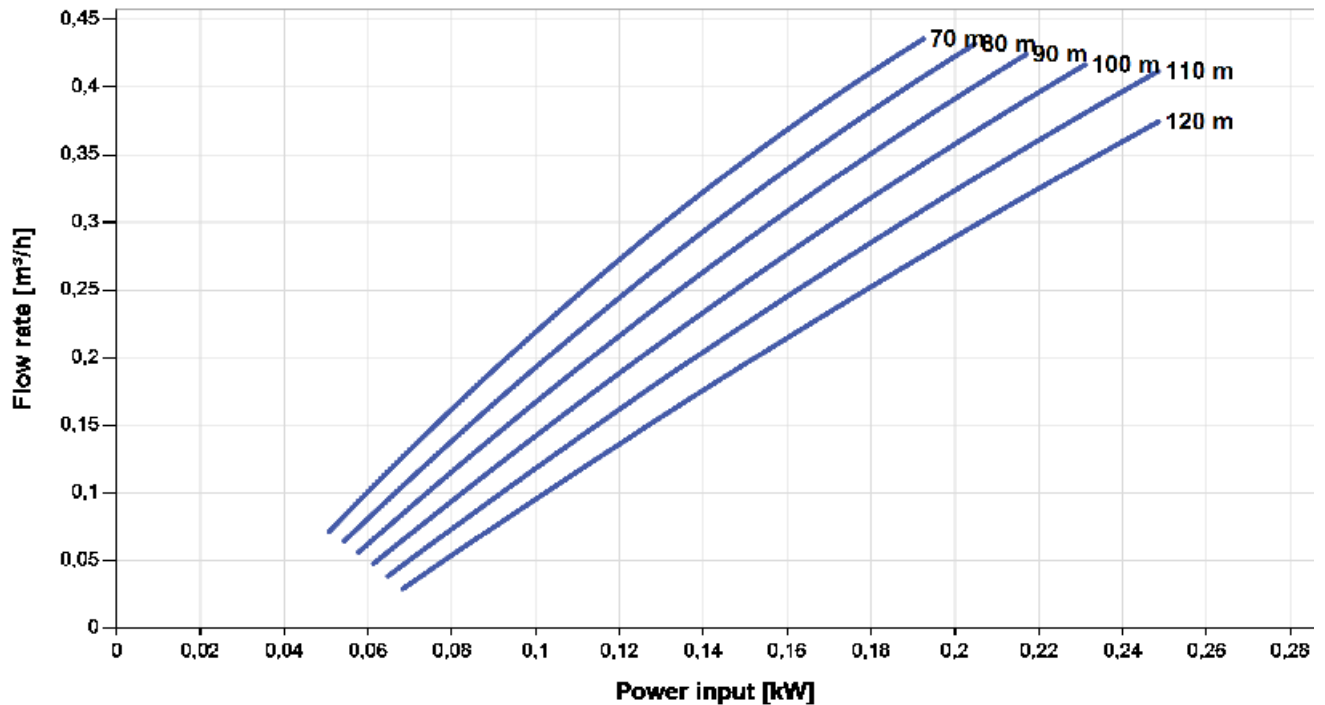


## PS600 HR-03

Solar submersible pump system for 4" wells

### Pump chart

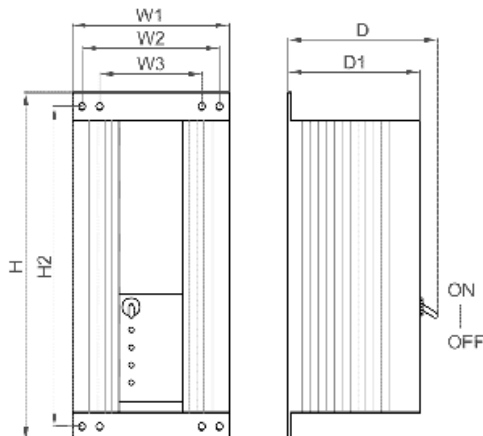
Max. power voltage (Vmp<sup>\*\*</sup>): > 68 V



### Dimensions and weights

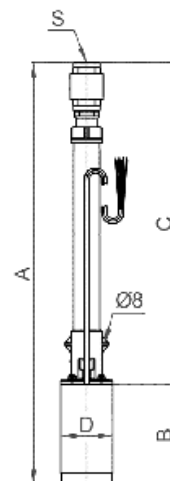
#### Controller

H = 396 mm  
 H2 = 364 mm  
 W1 = 178 mm  
 W2 = 156 mm  
 W3 = 116 mm  
 D = 165 mm  
 D1 = 150 mm



#### Pump unit

A = 780 mm  
 B = 185 mm  
 C = 595 mm  
 D = 96 mm  
 S = 1,25 in



|            | net weight | packaging      | shipping volume      | gross weight |
|------------|------------|----------------|----------------------|--------------|
| Controller | 4,5 kg     | 450x250x240 mm | 0,027 m <sup>3</sup> | 5,2 kg       |
| Pump unit  | 11 kg      | 850x160x150 mm | 0,020 m <sup>3</sup> | 12 kg        |
| Motor      | 7,0 kg     | 160x140x300 mm | 0,007 m <sup>3</sup> | 7,3 kg       |
| Pump end   | 4,2 kg     | 650x160x150 mm | 0,016 m <sup>3</sup> | 4,7 kg       |

\*Max. flow rate at min. recommended head

\*\*Vmp: max. power voltage under Standard Test Conditions (STC): AM = 1.5, E = 1000 W/m<sup>2</sup>, cell temperature 25 °C

\*\*\*Specify water temperature range on order

# PS600 HR-03H

## Solar submersible pump system for 4" wells

### Application

- drinking water supply
- pond management
- irrigation
- livestock watering
- pressurizing

### Characteristics

- fast, failure-free installation
- excellent serviceability
- high reliability and life expectancy
- short Return of Investment (ROI) cycle
- lower Total Cost of Ownership (TCO)

### Technical data

|                    |                             |
|--------------------|-----------------------------|
| Item #             | 1045-X                      |
| Total dynamic head | max. 180 m                  |
| Flow rate          | max. 0,44 m <sup>3</sup> /h |
| Vmp**              | > 68 V                      |
| Voc                | max. 150 V                  |



### Components

#### Controller: PS600

- controlling and monitoring
- control inputs for well probe, dry running protection, remote control etc.
- protected against reverse polarity, overload and high temperature
- integrated MPPT (Maximum Power Point Tracking)
- low voltage disconnect for battery operation

#### Motor: ECDRIVE 600-HR

- maintenance-free brushless DC motor
- water filled
- no electronics in the motor
- submersion max. 250 m, IP68
- premium materials

#### Pump end: PE HR-03H

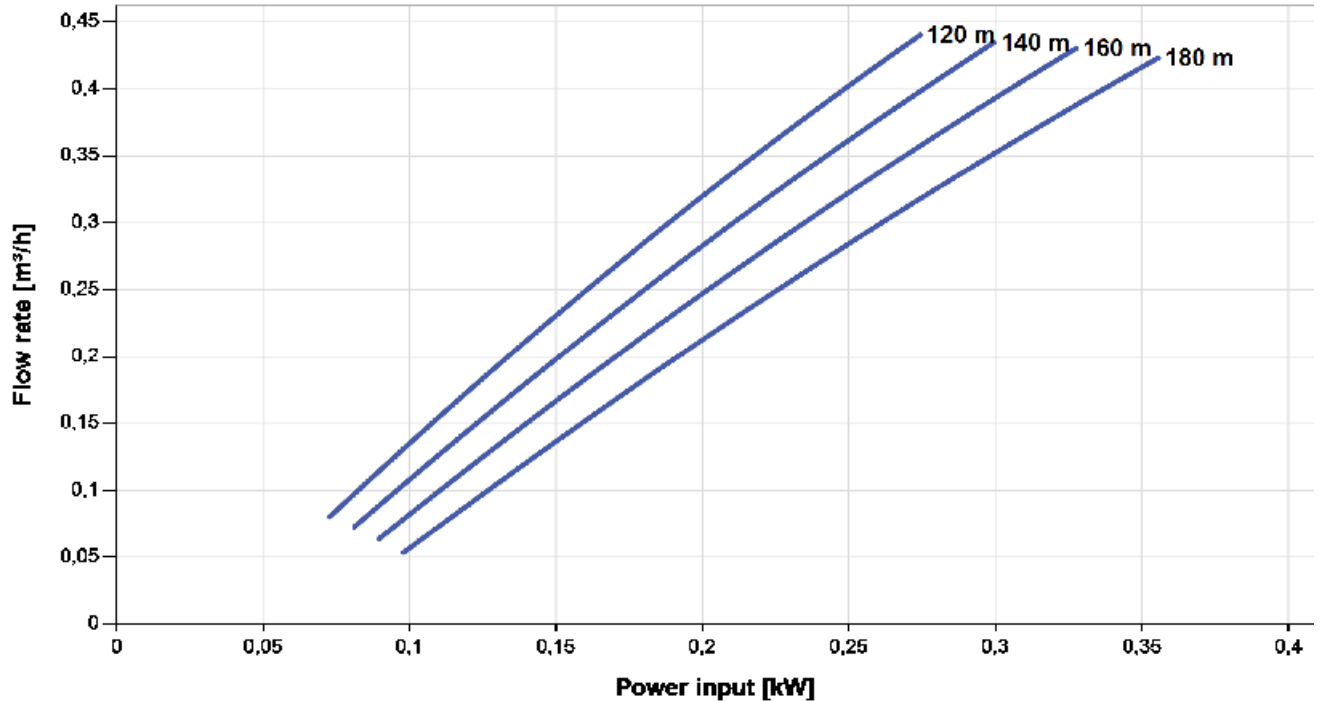
- high reliability and life expectancy
- non-return valve
- premium materials
- optional: dry running protection

## PS600 HR-03H

Solar submersible pump system for 4" wells

### Pump chart

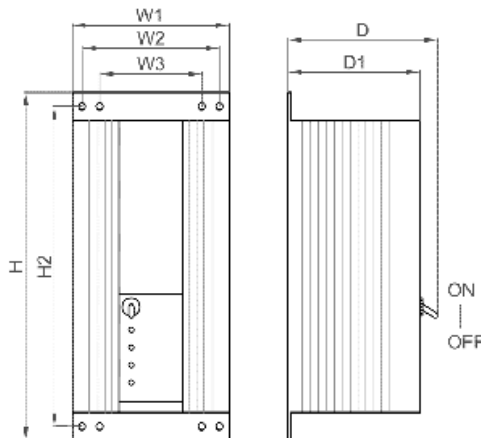
Max. power voltage (Vmp<sup>\*\*</sup>): > 68 V



### Dimensions and weights

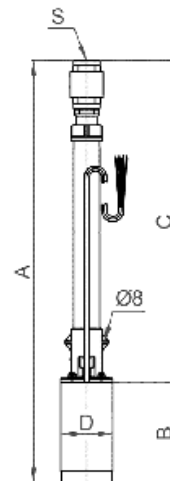
#### Controller

H = 396 mm  
 H2 = 364 mm  
 W1 = 178 mm  
 W2 = 156 mm  
 W3 = 116 mm  
 D = 165 mm  
 D1 = 150 mm



#### Pump unit

A = 780 mm  
 B = 185 mm  
 C = 595 mm  
 D = 96 mm  
 S = 1,25 in



|            | net weight | packaging      | shipping volume      | gross weight |
|------------|------------|----------------|----------------------|--------------|
| Controller | 4,5 kg     | 450x250x240 mm | 0,027 m <sup>3</sup> | 5,2 kg       |
| Pump unit  | 11 kg      | 850x160x150 mm | 0,020 m <sup>3</sup> | 12 kg        |
| Motor      | 7,0 kg     | 160x140x300 mm | 0,007 m <sup>3</sup> | 7,3 kg       |
| Pump end   | 4,2 kg     | 650x160x150 mm | 0,016 m <sup>3</sup> | 4,7 kg       |

\*Max. flow rate at min. recommended head

\*\*Vmp: max. power voltage under Standard Test Conditions (STC): AM = 1.5, E = 1000 W/m<sup>2</sup>, cell temperature 25 °C

\*\*\*Specify water temperature range on order

# PS600 HR-04

## Solar submersible pump system for 4" wells

### Application

- drinking water supply
- pond management
- irrigation
- livestock watering
- pressurizing

### Characteristics

- fast, failure-free installation
- excellent serviceability
- high reliability and life expectancy
- short Return of Investment (ROI) cycle
- lower Total Cost of Ownership (TCO)

### Technical data

|                    |                             |
|--------------------|-----------------------------|
| Item #             | 1050-X                      |
| Total dynamic head | max. 70 m                   |
| Flow rate          | max. 0,72 m <sup>3</sup> /h |
| Vmp**              | > 68 V                      |
| Voc                | max. 150 V                  |



### Components

#### Controller: PS600

- controlling and monitoring
- control inputs for well probe, dry running protection, remote control etc.
- protected against reverse polarity, overload and high temperature
- integrated MPPT (Maximum Power Point Tracking)
- low voltage disconnect for battery operation

#### Motor: ECDRIVE 600-HR

- maintenance-free brushless DC motor
- water filled
- no electronics in the motor
- submersion max. 250 m, IP68
- premium materials

#### Pump end: PE HR-04

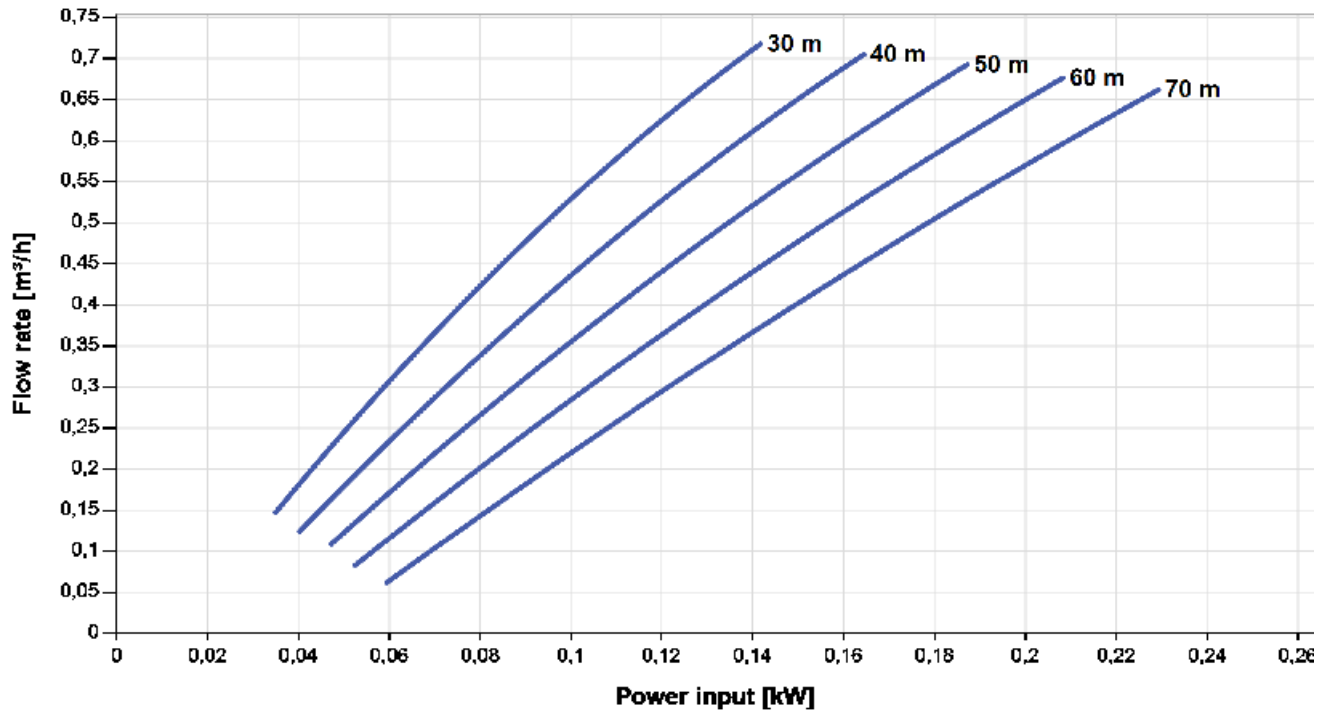
- high reliability and life expectancy
- non-return valve
- premium materials
- optional: dry running protection

## PS600 HR-04

Solar submersible pump system for 4" wells

### Pump chart

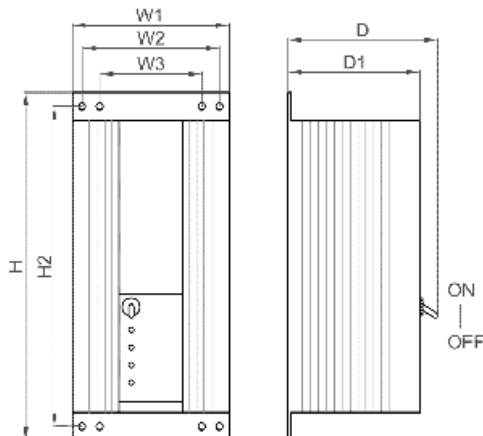
Max. power voltage (Vmp<sup>\*\*</sup>): > 68 V



### Dimensions and weights

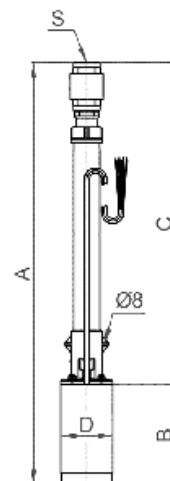
#### Controller

H = 396 mm  
 H2 = 364 mm  
 W1 = 178 mm  
 W2 = 156 mm  
 W3 = 116 mm  
 D = 165 mm  
 D1 = 150 mm



#### Pump unit

A = 780 mm  
 B = 185 mm  
 C = 595 mm  
 D = 96 mm  
 S = 1,25 in



|            | net weight | packaging      | shipping volume      | gross weight |
|------------|------------|----------------|----------------------|--------------|
| Controller | 4,5 kg     | 450x250x240 mm | 0,027 m <sup>3</sup> | 5,2 kg       |
| Pump unit  | 11 kg      | 850x160x150 mm | 0,020 m <sup>3</sup> | 12 kg        |
| Motor      | 7,0 kg     | 160x140x300 mm | 0,007 m <sup>3</sup> | 7,3 kg       |
| Pump end   | 4,2 kg     | 650x160x150 mm | 0,016 m <sup>3</sup> | 4,7 kg       |

\*Max. flow rate at min. recommended head

\*\*Vmp: max. power voltage under Standard Test Conditions (STC): AM = 1.5, E = 1000 W/m<sup>2</sup>, cell temperature 25 °C

\*\*\*Specify water temperature range on order

# PS600 HR-04H

## Solar submersible pump system for 4" wells

### Application

- drinking water supply
- pond management
- irrigation
- livestock watering
- pressurizing

### Characteristics

- fast, failure-free installation
- excellent serviceability
- high reliability and life expectancy
- short Return of Investment (ROI) cycle
- lower Total Cost of Ownership (TCO)

### Technical data

|                    |                             |
|--------------------|-----------------------------|
| Item #             | 1055-X                      |
| Total dynamic head | max. 140 m                  |
| Flow rate          | max. 0,72 m <sup>3</sup> /h |
| Vmp**              | > 68 V                      |
| Voc                | max. 150 V                  |



### Components

#### Controller: PS600

- controlling and monitoring
- control inputs for well probe, dry running protection, remote control etc.
- protected against reverse polarity, overload and high temperature
- integrated MPPT (Maximum Power Point Tracking)
- low voltage disconnect for battery operation

#### Motor: ECDRIVE 600-HR

- maintenance-free brushless DC motor
- water filled
- no electronics in the motor
- submersion max. 250 m, IP68
- premium materials

#### Pump end: PE HR-04H

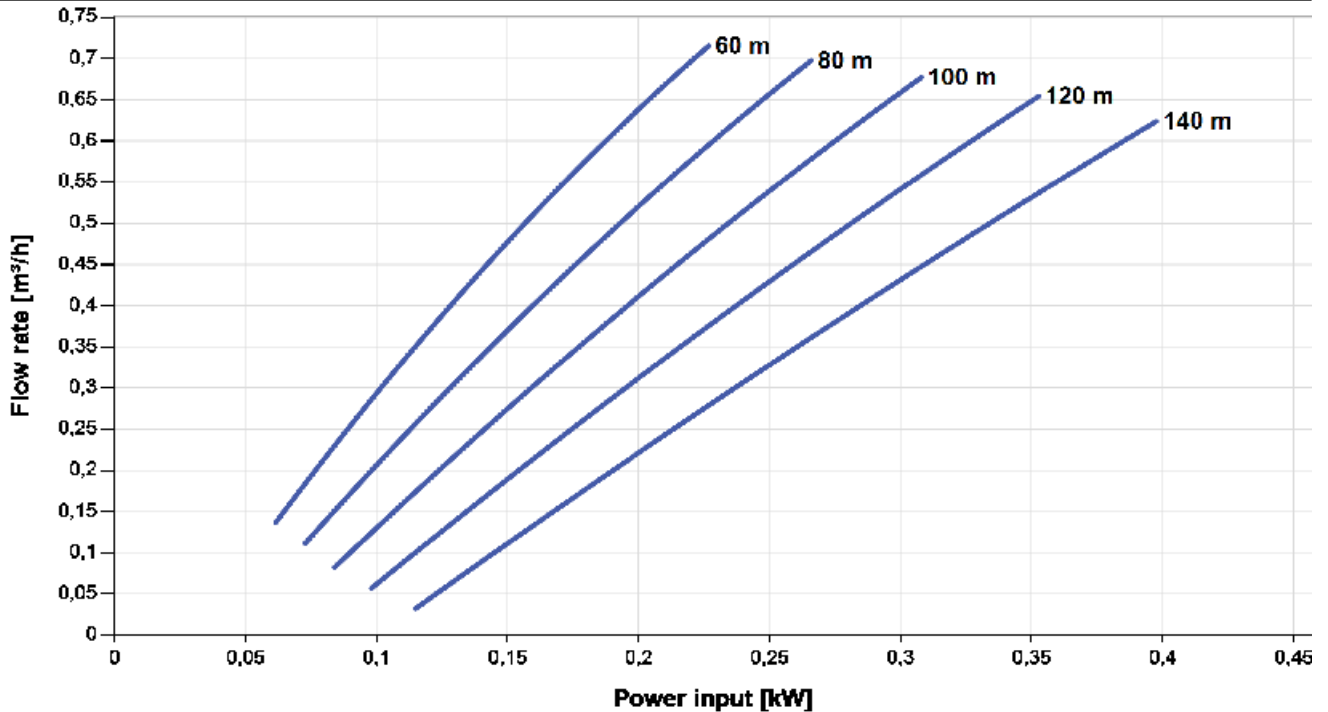
- high reliability and life expectancy
- non-return valve
- premium materials
- optional: dry running protection

## PS600 HR-04H

Solar submersible pump system for 4" wells

### Pump chart

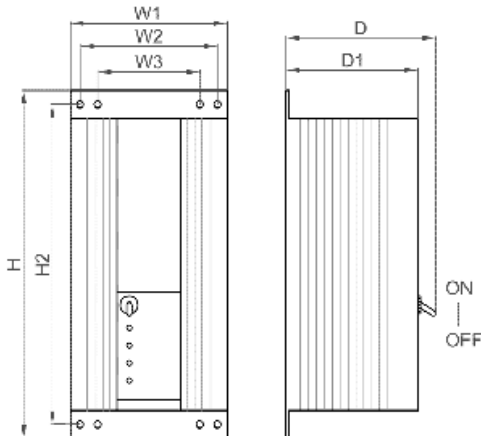
Max. power voltage (Vmp<sup>\*\*</sup>): > 68 V



### Dimensions and weights

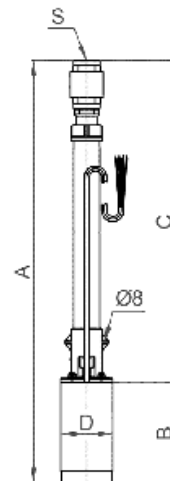
#### Controller

H = 396 mm  
 H2 = 364 mm  
 W1 = 178 mm  
 W2 = 156 mm  
 W3 = 116 mm  
 D = 165 mm  
 D1 = 150 mm



#### Pump unit

A = 780 mm  
 B = 185 mm  
 C = 595 mm  
 D = 96 mm  
 S = 1,25 in



|            | net weight | packaging      | shipping volume      | gross weight |
|------------|------------|----------------|----------------------|--------------|
| Controller | 4,5 kg     | 450x250x240 mm | 0,027 m <sup>3</sup> | 5,2 kg       |
| Pump unit  | 11 kg      | 850x160x150 mm | 0,020 m <sup>3</sup> | 12 kg        |
| Motor      | 7,0 kg     | 160x140x300 mm | 0,007 m <sup>3</sup> | 7,3 kg       |
| Pump end   | 4,2 kg     | 650x160x150 mm | 0,016 m <sup>3</sup> | 4,7 kg       |

\*Max. flow rate at min. recommended head

\*\*Vmp: max. power voltage under Standard Test Conditions (STC): AM = 1.5, E = 1000 W/m<sup>2</sup>, cell temperature 25 °C

\*\*\*Specify water temperature range on order

# PS600 HR-07

## Solar submersible pump system for 4" wells

### Application

- drinking water supply
- pond management
- irrigation
- livestock watering
- pressurizing

### Characteristics

- fast, failure-free installation
- excellent serviceability
- high reliability and life expectancy
- short Return of Investment (ROI) cycle
- lower Total Cost of Ownership (TCO)

### Technical data

|                    |                            |
|--------------------|----------------------------|
| Item #             | 1060-X                     |
| Total dynamic head | max. 90 m                  |
| Flow rate          | max. 1,3 m <sup>3</sup> /h |
| Vmp**              | > 68 V                     |
| Voc                | max. 150 V                 |



### Components

#### Controller: PS600

- controlling and monitoring
- control inputs for well probe, dry running protection, remote control etc.
- protected against reverse polarity, overload and high temperature
- integrated MPPT (Maximum Power Point Tracking)
- low voltage disconnect for battery operation

#### Motor: ECDRIVE 600-HR

- maintenance-free brushless DC motor
- water filled
- no electronics in the motor
- submersion max. 250 m, IP68
- premium materials

#### Pump end: PE HR-07

- high reliability and life expectancy
- non-return valve
- premium materials
- optional: dry running protection

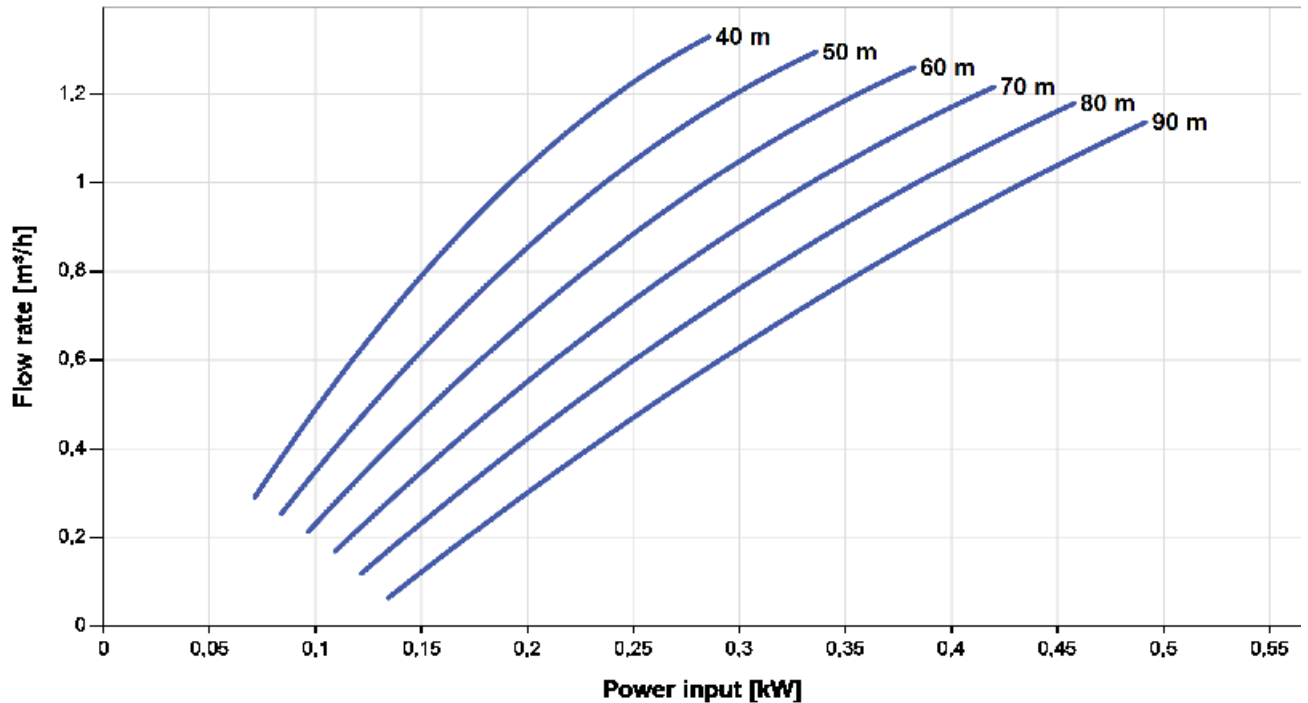


## PS600 HR-07

Solar submersible pump system for 4" wells

### Pump chart

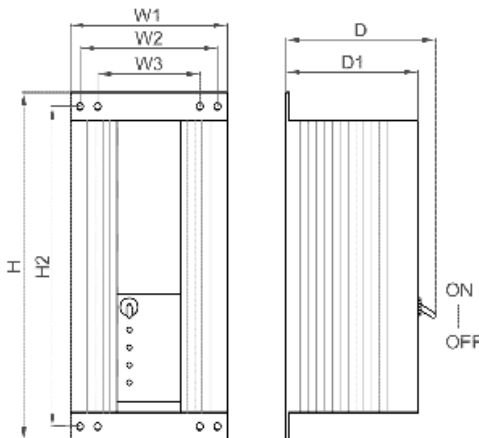
Max. power voltage (Vmp<sup>\*\*</sup>): > 68 V



### Dimensions and weights

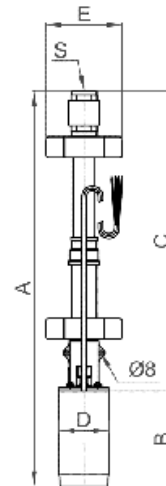
#### Controller

H = 396 mm  
 H2 = 364 mm  
 W1 = 178 mm  
 W2 = 156 mm  
 W3 = 116 mm  
 D = 165 mm  
 D1 = 150 mm



#### Pump unit

A = 771 mm  
 B = 185 mm  
 C = 586 mm  
 D = 96 mm  
 E = 147 mm  
 S = 1,25 in



|            | net weight | packaging      | shipping volume      | gross weight |
|------------|------------|----------------|----------------------|--------------|
| Controller | 4,5 kg     | 450x250x240 mm | 0,027 m <sup>3</sup> | 5,2 kg       |
| Pump unit  | 12 kg      | 850x160x150 mm | 0,020 m <sup>3</sup> | 12 kg        |
| Motor      | 7,0 kg     | 160x140x300 mm | 0,007 m <sup>3</sup> | 7,3 kg       |
| Pump end   | 4,5 kg     | 650x160x150 mm | 0,016 m <sup>3</sup> | 5,0 kg       |

\*Max. flow rate at min. recommended head

\*\*Vmp: max. power voltage under Standard Test Conditions (STC): AM = 1.5, E = 1000 W/m<sup>2</sup>, cell temperature 25 °C

\*\*\*Specify water temperature range on order

# PS600 HR-10

## Solar submersible pump system for 4" wells

### Application

- drinking water supply
- pond management
- irrigation
- livestock watering
- pressurizing

### Characteristics

- fast, failure-free installation
- excellent serviceability
- high reliability and life expectancy
- short Return of Investment (ROI) cycle
- lower Total Cost of Ownership (TCO)

### Technical data

|                    |                            |
|--------------------|----------------------------|
| Item #             | 1065-X                     |
| Total dynamic head | max. 80 m                  |
| Flow rate          | max. 1,9 m <sup>3</sup> /h |
| Vmp**              | > 68 V                     |
| Voc                | max. 150 V                 |



## Components

### Controller: PS600

- controlling and monitoring
- control inputs for well probe, dry running protection, remote control etc.
- protected against reverse polarity, overload and high temperature
- integrated MPPT (Maximum Power Point Tracking)
- low voltage disconnect for battery operation

### Motor: ECDRIVE 600-HR

- maintenance-free brushless DC motor
- water filled
- no electronics in the motor
- submersion max. 250 m, IP68
- premium materials

### Pump end: PE HR-10

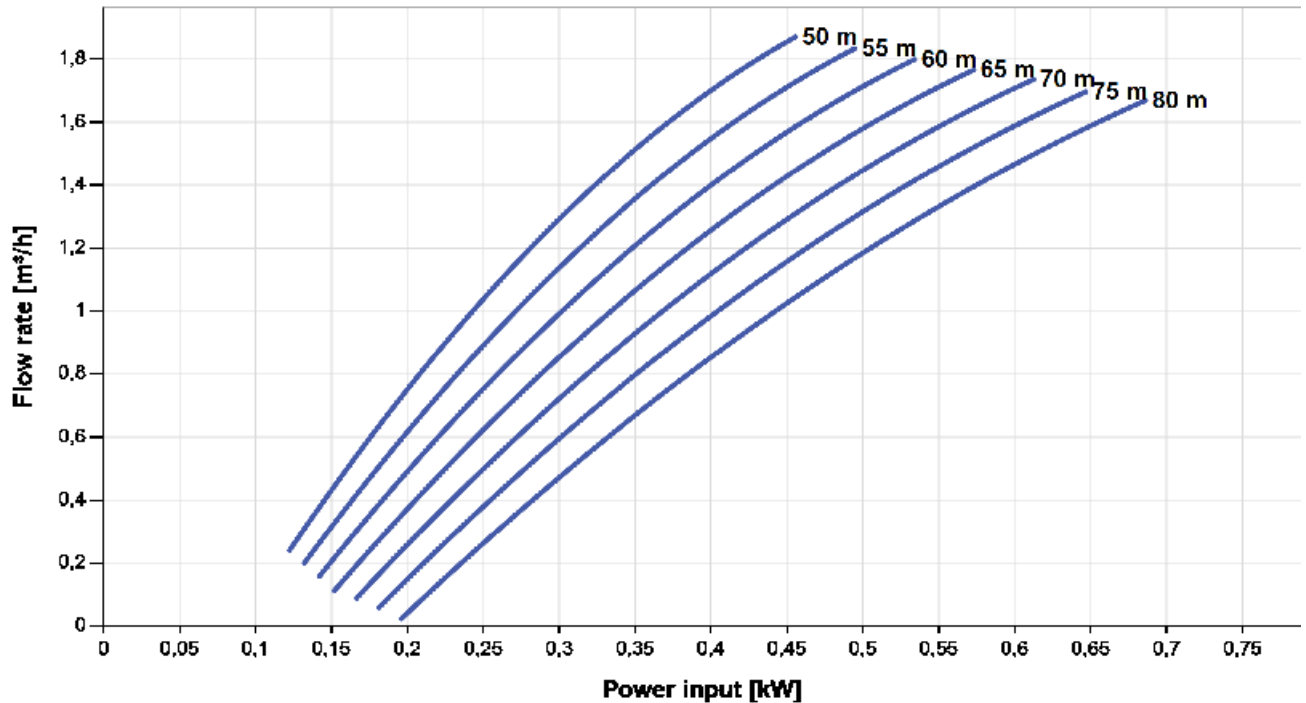
- high reliability and life expectancy
- non-return valve
- premium materials
- optional: dry running protection

## PS600 HR-10

Solar submersible pump system for 4" wells

### Pump chart

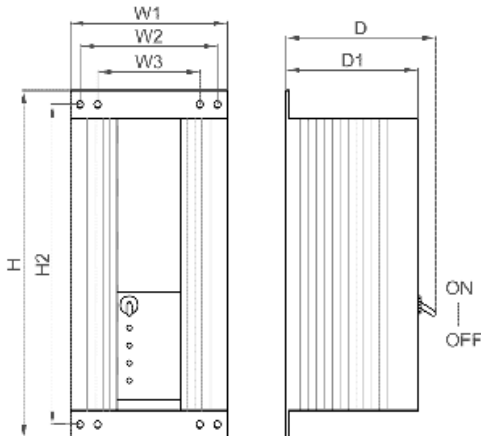
Max. power voltage (Vmp\*\*): > 68 V



### Dimensions and weights

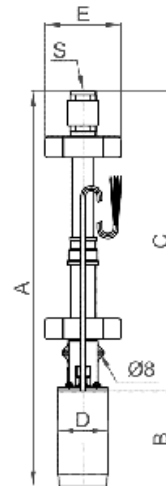
#### Controller

H = 396 mm  
 H2 = 364 mm  
 W1 = 178 mm  
 W2 = 156 mm  
 W3 = 116 mm  
 D = 165 mm  
 D1 = 150 mm



#### Pump unit

A = 771 mm  
 B = 185 mm  
 C = 586 mm  
 D = 96 mm  
 E = 147 mm  
 S = 1,25 in



|            | net weight | packaging      | shipping volume | gross weight |
|------------|------------|----------------|-----------------|--------------|
| Controller | 4,5 kg     | 450x250x240 mm | 0,027 m³        | 5,2 kg       |
| Pump unit  | 12 kg      | 850x160x150 mm | 0,020 m³        | 12 kg        |
| Motor      | 7,0 kg     | 160x140x300 mm | 0,007 m³        | 7,3 kg       |
| Pump end   | 4,5 kg     | 650x160x150 mm | 0,016 m³        | 5,0 kg       |

\*Max. flow rate at min. recommended head

\*\*Vmp: max. power voltage under Standard Test Conditions (STC): AM = 1.5, E = 1000 W/m², cell temperature 25 °C

\*\*\*Specify water temperature range on order

# PS600 HR-14

## Solar submersible pump system for 4" wells

### Application

- drinking water supply
- pond management
- irrigation
- livestock watering
- pressurizing

### Characteristics

- fast, failure-free installation
- excellent serviceability
- high reliability and life expectancy
- short Return of Investment (ROI) cycle
- lower Total Cost of Ownership (TCO)

### Technical data

|                    |                            |
|--------------------|----------------------------|
| Item #             | 1070-X                     |
| Total dynamic head | max. 50 m                  |
| Flow rate          | max. 2,6 m <sup>3</sup> /h |
| Vmp**              | > 68 V                     |
| Voc                | max. 150 V                 |



### Components

#### Controller: PS600

- controlling and monitoring
- control inputs for well probe, dry running protection, remote control etc.
- protected against reverse polarity, overload and high temperature
- integrated MPPT (Maximum Power Point Tracking)
- low voltage disconnect for battery operation

#### Motor: ECDRIVE 600-HR

- maintenance-free brushless DC motor
- water filled
- no electronics in the motor
- submersion max. 250 m, IP68
- premium materials

#### Pump end: PE HR-14

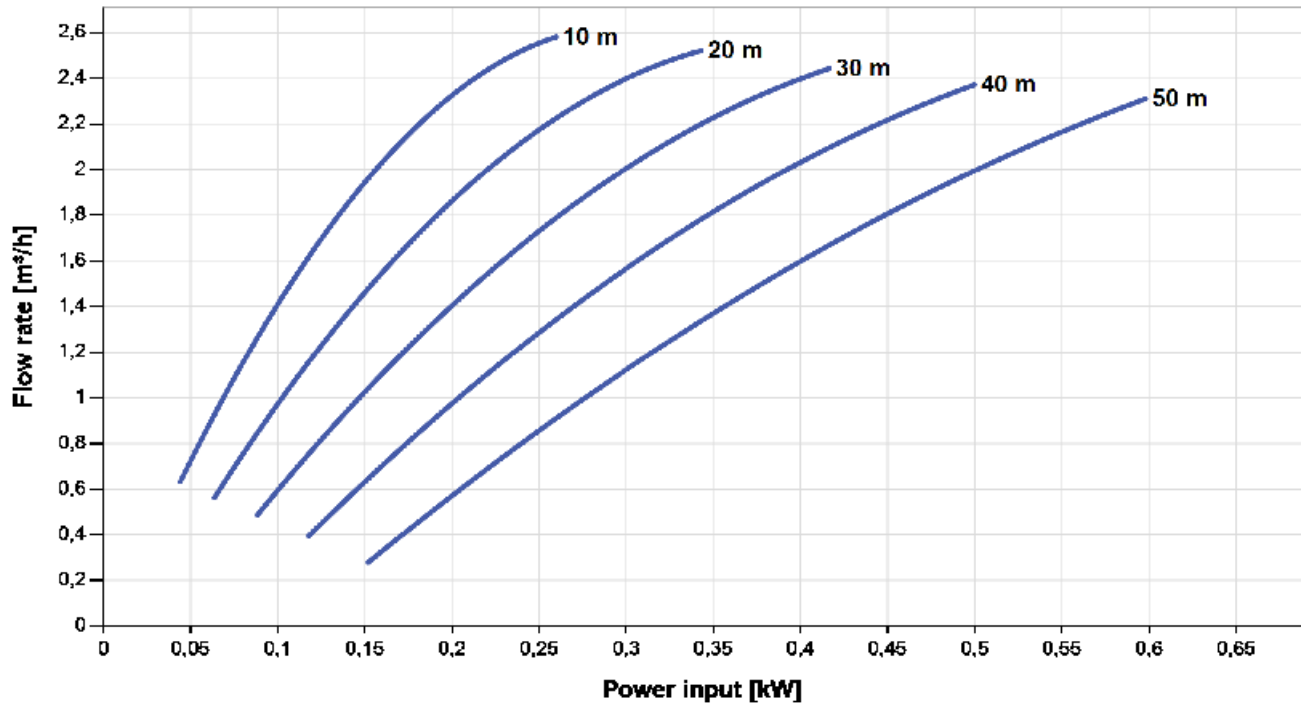
- high reliability and life expectancy
- non-return valve
- premium materials
- optional: dry running protection

## PS600 HR-14

Solar submersible pump system for 4" wells

### Pump chart

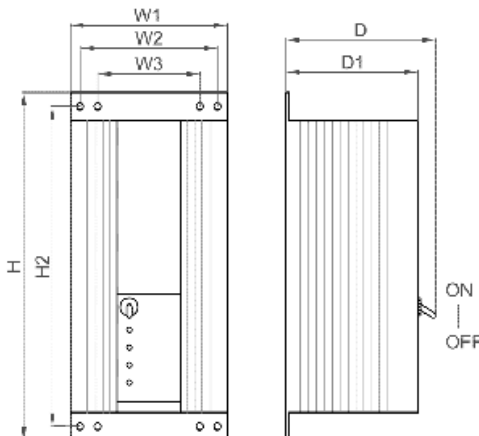
Max. power voltage (Vmp<sup>\*\*</sup>): > 68 V



### Dimensions and weights

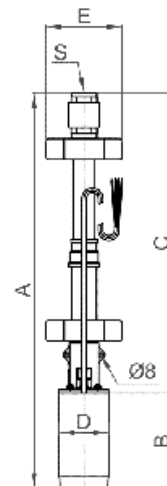
#### Controller

H = 396 mm  
 H2 = 364 mm  
 W1 = 178 mm  
 W2 = 156 mm  
 W3 = 116 mm  
 D = 165 mm  
 D1 = 150 mm



#### Pump unit

A = 771 mm  
 B = 185 mm  
 C = 586 mm  
 D = 96 mm  
 E = 147 mm  
 S = 1,25 in



|            | net weight | packaging      | shipping volume      | gross weight |
|------------|------------|----------------|----------------------|--------------|
| Controller | 4,5 kg     | 450x250x240 mm | 0,027 m <sup>3</sup> | 5,2 kg       |
| Pump unit  | 12 kg      | 850x160x150 mm | 0,020 m <sup>3</sup> | 12 kg        |
| Motor      | 7,0 kg     | 160x140x300 mm | 0,007 m <sup>3</sup> | 7,3 kg       |
| Pump end   | 4,5 kg     | 650x160x150 mm | 0,016 m <sup>3</sup> | 5,0 kg       |

\*Max. flow rate at min. recommended head

\*\*Vmp: max. power voltage under Standard Test Conditions (STC): AM = 1.5, E = 1000 W/m<sup>2</sup>, cell temperature 25 °C

\*\*\*Specify water temperature range on order